



STAR™ Riser System



STAR-24L Threaded Cover

STAR-24R6 6" Threaded Riser

STAR-24R12 12" Threaded Riser

ROTH MultiTank® STAR™ Riser Systems are designed to provide safe and dependable access to your onsite wastewater treatment tanks, whether cast in concrete or retrofitted to an existing tank. Engineered with high-density polyethylene and gasketed watertight connection, the STAR™ Riser System is the quality solution to your access riser needs. ROTH is the proud owner and operator of the world's largest blow-mold machine. Our patented manufacturing and design processes utilize high molecular weight HDPE to produce onsite wastewater products. With an emphasis on products for the wastewater and environmental industries, ROTH is your innovative partner in business. Our products are engineered for performance over the long term.

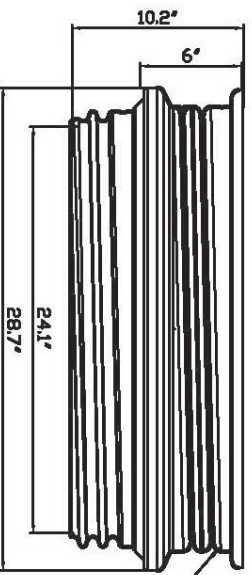
SYSTEM FEATURES

- 24" I.D. threaded riser
- Maximum versatility in the field
- Watertight connection
- Extra-strong flat top design
- Unique anti-slip surface
- Easily secured against unauthorized entry
- Excellent for retrofit or cast-in
- Available in 6 inch and 12 inch



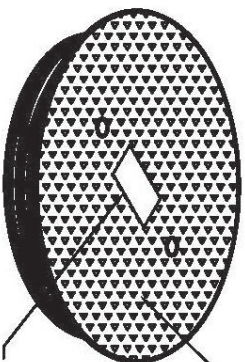
Call to Order Today: 1-888-266-7684
Roth Global Plastics PO Box 245 Syracuse, New York 13211
www.roth-america.com

STAR™ 24R6 AND 24R12 DIMENSIONS



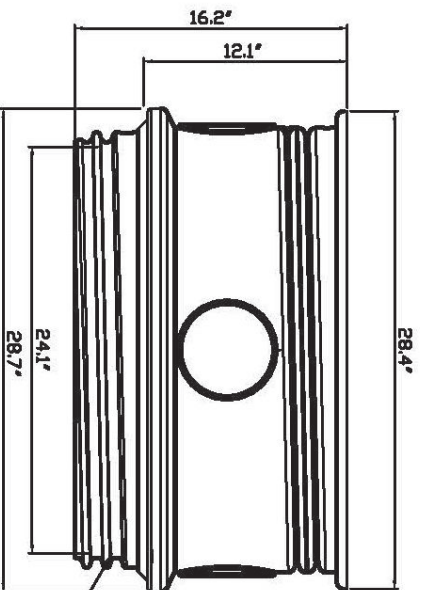
STAR 6" RISER - MODEL 24R6

THREADED WATERTIGHT CONNECTION



ANTI-SLIP SURFACE

WARNING LABEL
"WARNING - POISON
CASES DO NOT ENTER"



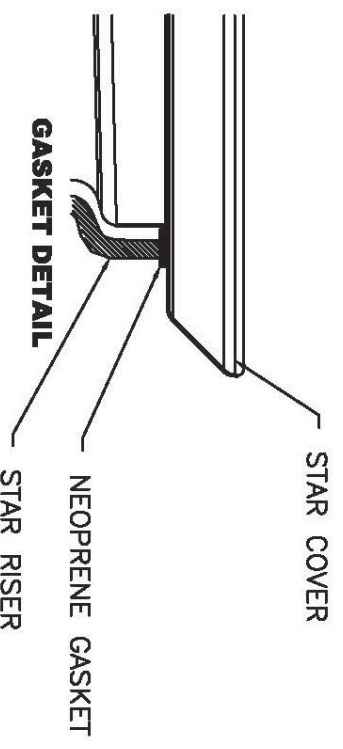
STAR 12" RISER - MODEL 24R12

THREADED WATERTIGHT CONNECTION (TYP)



STAR COVER - MODEL 24L

SEE GASKET
DETAIL



- NOTES:
1. COVER SECURED WITH TAMPER RESISTANT STAINLESS STEEL FASTENER OR PADLOCK
 2. RISER AND COVER MATERIAL IS HMW-HDPE

Use only STAR stainless steel security seals (Part # SSLOCK) to secure against unauthorized access. Not rated for vehicular traffic loading.

Warranty: Roth Global Plastics warrants the STAR™ Riser System for a period of five years from date of purchase against any manufacturing defects, providing the plug cover has been used and installed in accordance with manufacturer's written instructions. Roth will, at its option, repair or replace any plug cover it deems to be defective and Roth's obligations under this warranty are strictly limited to the repair and/or replacement of the defective plug cover. Roth assumes no liability in cases of improper installation or misuse. Roth is not responsible for any resulting contingent liabilities or charges. This warranty applies only to the original plug cover installation.