

Submittal

WiFi Thermostat 562



Zoning

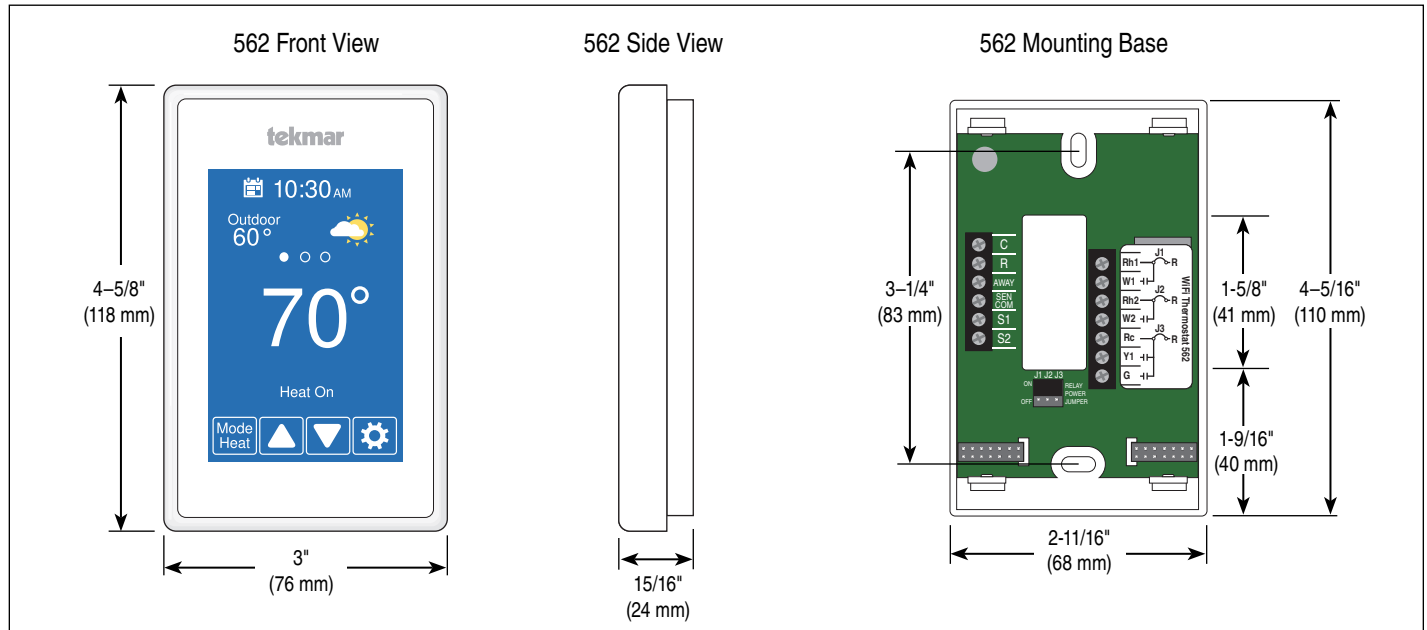
562_C

08/17

Replaces: 08/16

Job _____ Designer _____ Contact _____

The WiFi Thermostat 562 operates a two stage heating, one stage cooling system and a fan. When connected to the Internet, the time is automatically set and the local weather and outdoor temperature are displayed. The mobile app and website allows the thermostat to be controlled remotely. A 7-day, 4-event programmable schedule is available and the early start feature automatically learns to heat up the room by the scheduled time. An Away mode is quickly and easily accessed to provide energy savings when the space is unoccupied. The thermostat supports radiant floor heating and optional floor sensors can be installed to enhance comfort and protect floor coverings.



Specifications

WiFi Thermostat 562 <i>Two Stage Heat, One Stage Cool, Fan</i>	
Literature	562_C, 562_D, 562_J, 562_U
Control	Microprocessor control. This is not a safety (limit) control
Packaged weight	0.7 lb. (300 g)
Dimensions	4-5/8" H x 3" W x 15/16" D (118 x 76 x 24 mm)
Enclosure	White PVC plastic, NEMA type 1
Approvals	Meets Class B: ICES & FCC Part 15
Ambient conditions	Indoor use only, 32 to 122°F (0 to 50°C), RH ≤90% non-condensing
Power supply	15 to 30 V (ac/dc), 2 VA, Class 2
Relay	30 V (ac/dc), 2 A, Class 2 circuits
Sensor	NTC thermistor, 10 kΩ @ 77°F (25°C ±0.2°C) β=3892
-Included	None
-Optional	tekmar type # 070, 072, 073, 076, 077, 079, 084
Communications	WiFi 802.11n, 2.4 GHz, WPA2 encryption
Mobile App	Apple iOS 9 or higher, Android 5 or higher
Warranty	Limited 3 Year (See 562_D for full warranty)

Features

- Mobile app for iOS and Android
- Optional remote floor & room sensors
- Automatic software updates
- Outdoor temperature
- Local weather
- Email error and warning notifications
- Time clock updated from Internet
- 7 day programmable schedule
- Away energy savings mode
- Early start
- Energy monitoring
- English/Français/Español languages
- 3.5" color touchscreen
- Selectable background colors

tekmar[®]

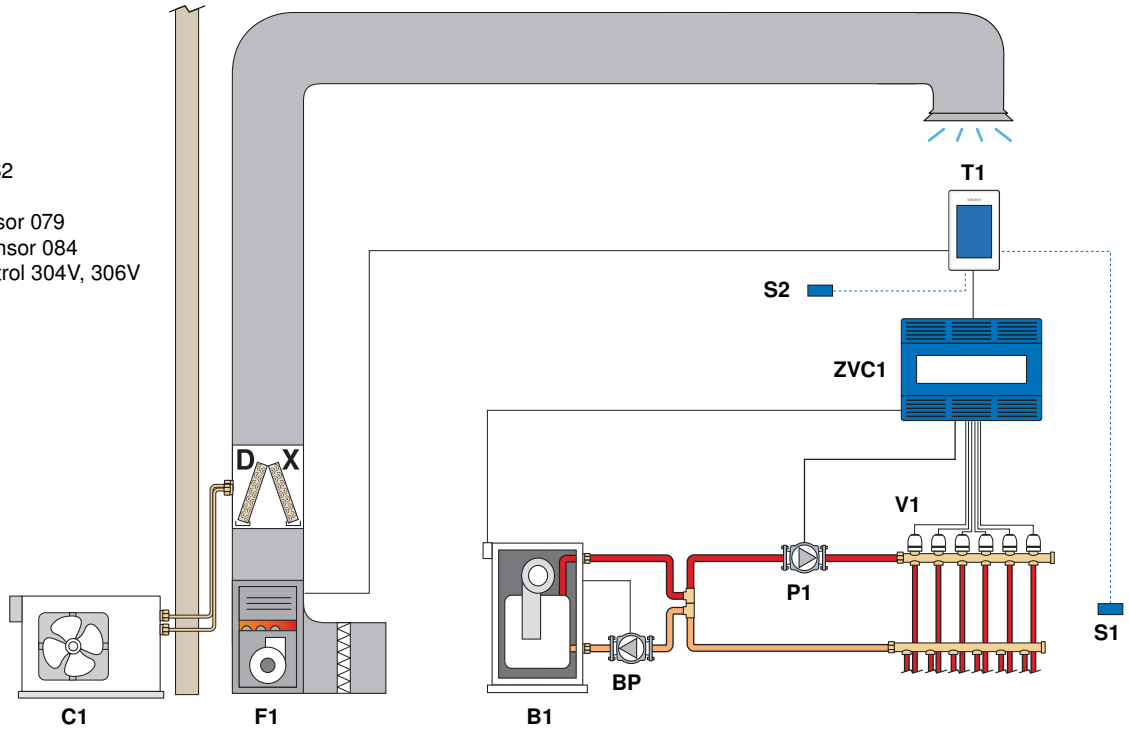
A WATTS Brand

Sample Application Drawing

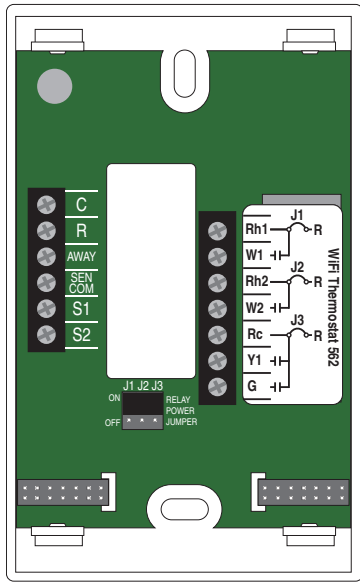
Sample Mechanical diagram

Legend

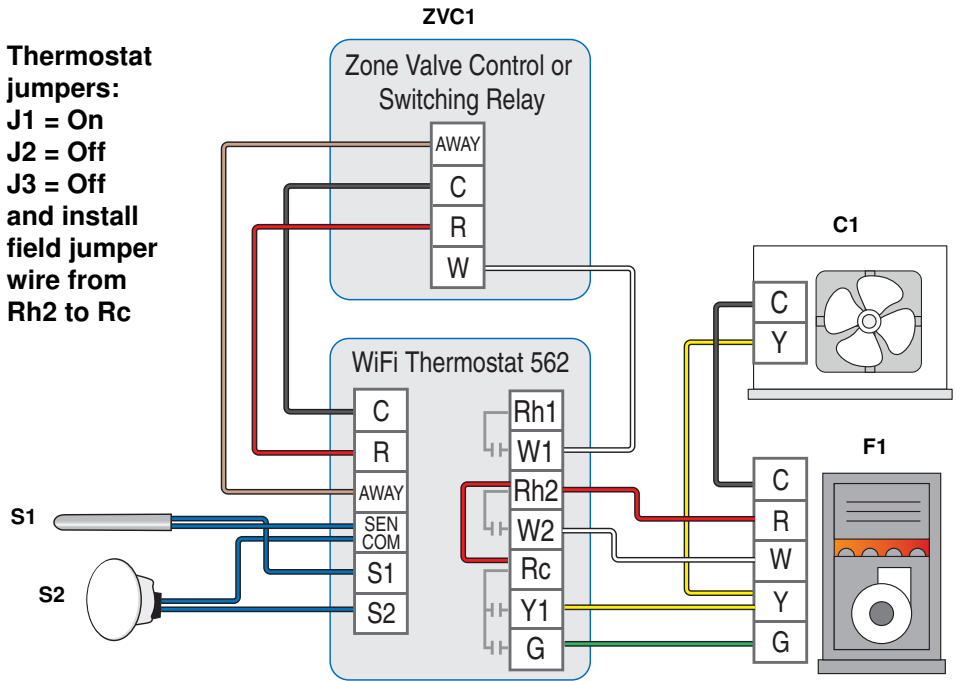
- B1 = Boiler
- BP = Boiler Pump
- C1 = Air Conditioner
- F1 = Furnace
- P1 = Manifold Pump
- T1 = WiFi Thermostat 562
- V1 = Zone Valve
- S1 = Optional Floor Sensor 079
- S2 = Optional Indoor Sensor 084
- ZVC1 = Zone Valve Control 304V, 306V



Sample Electrical diagram



Thermostat jumpers:
J1 = On
J2 = Off
J3 = Off
and install field jumper wire from Rh2 to Rc



CAUTION

This Submittal is not intended to provide full installation instructions and safety information. In order to avoid property damage or injury, please refer to the complete installation manual and product safety information provided with the product.



A WATTS Brand

All specifications are subject to change without notice.

T: (250) 545-7749 • F: (250) 984-0815
 tekmarControls.com