

tekmar® Submittal

Mixing Control 360



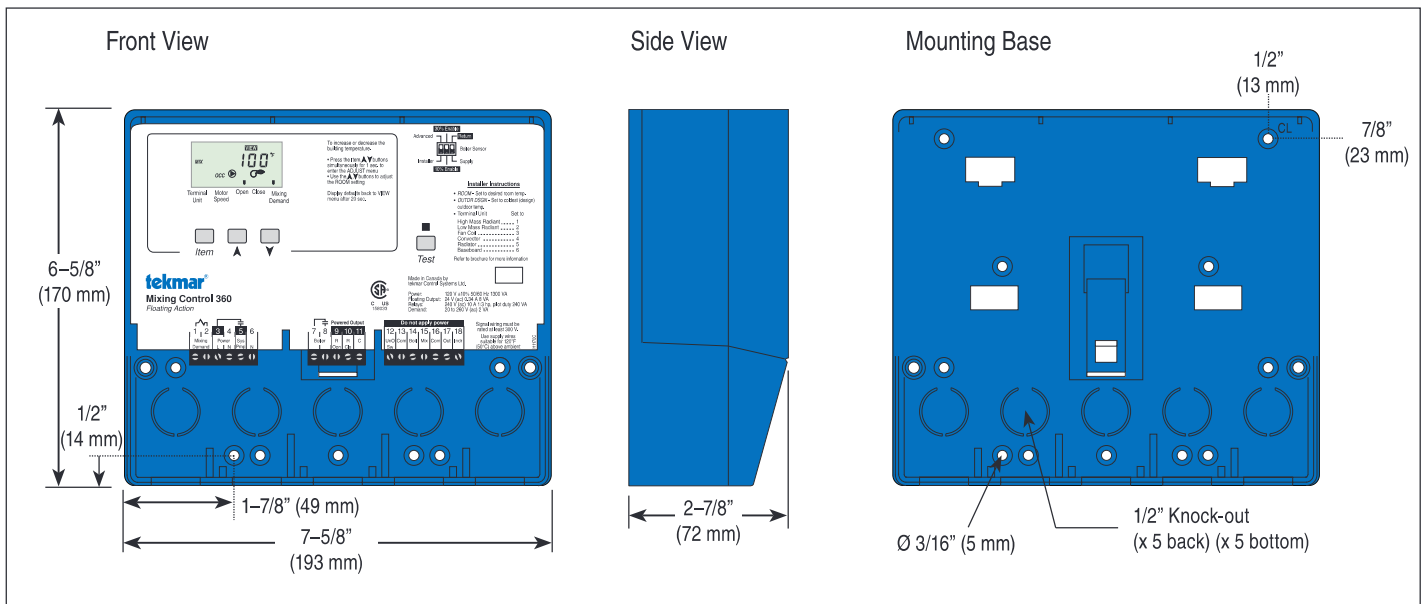
C 360

01/11

HVAC Systems Replaces: New

Job _____ Designer _____ Contact _____

The Mixing Control 360 is designed to operate a mixing valve using Outdoor Temperature Reset. It can be used in applications ranging from in-floor radiant to commercial baseboard systems for boiler protection with full reset. This control regulates a single heating water temperature through Outdoor Temperature Reset. It controls the mixing by opening or closing a floating action type mixing valve actuator (3 or 4 way valves), and also provides control of the mix system pump.



Specifications

| Mixing Control 360 Floating Action | |
|---|--|
| Literature | D360, A360, D001, D070 |
| Control | Microprocessor control. This is not a safety (limit) control |
| Packaged weight | 3.1 lb. (1420 g) |
| Dimensions | 6-5/8" H x 7-9/16" W x 2-13/16" D (170 x 193 x 72 mm) |
| Enclosure | Blue PVC plastic, NEMA type 1 |
| Approvals | CSA C US, meets class B: ICES & FCC Part 15 |
| Ambient conditions | Indoor use only, 32 to 104°F (0 to 40°C), RH ≤90% Non-condensing |
| Power supply | 120 V (ac) ±10%, 50/60 Hz, 1300 VA |
| Floating output | 24 V (ac) 0.34 A 8 VA |
| Relays | 240 V (ac) 10 A 1/3 hp |
| Demand | 20 to 260 V (ac) 2 VA |
| Sensors | NTC thermistor, 10 kΩ @ 77°F (25°C ±0.2°C) β=3892 |
| -Included | Outdoor Sensor 070 and 2 of Universal Sensor 082 |
| -Optional | tekmar type #: 033, 076, 077, 084 |
| Warranty | Limited 3 Year (See D360 for full warranty) |

Energy Saving Features

- Outdoor Temperature Reset
- Indoor Temperature Feedback (with optional indoor sensor)
- Warm Weather Shut Down
- Automatic Boiler Differential

Additional Features

- Floating Action Mixing Control
- Quick setup for easy installation and programming of control
- User comfort adjustment to increase or decrease building space temperature
- Advanced settings to fine-tune building requirements
- Powered mixing system pump output
- Optional indoor sensor for room air temperature control
- Test sequence to ensure proper component operation
- Setback input for energy savings
- 120 V (ac) power supply
- CSA C US certified (approved to applicable UL standards)

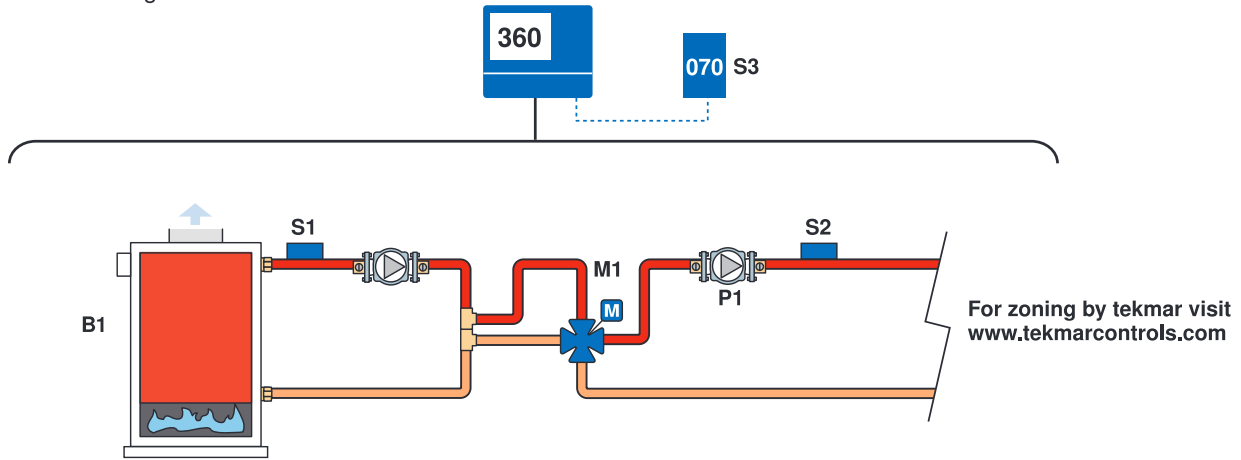
SPECIAL REQUIREMENTS

N / A

Sample Application Drawing

Below is a sample application drawing for this product. This application may include other tekmar products that are required for installation. More sample applications can be found at www.tekmarcontrols.com.

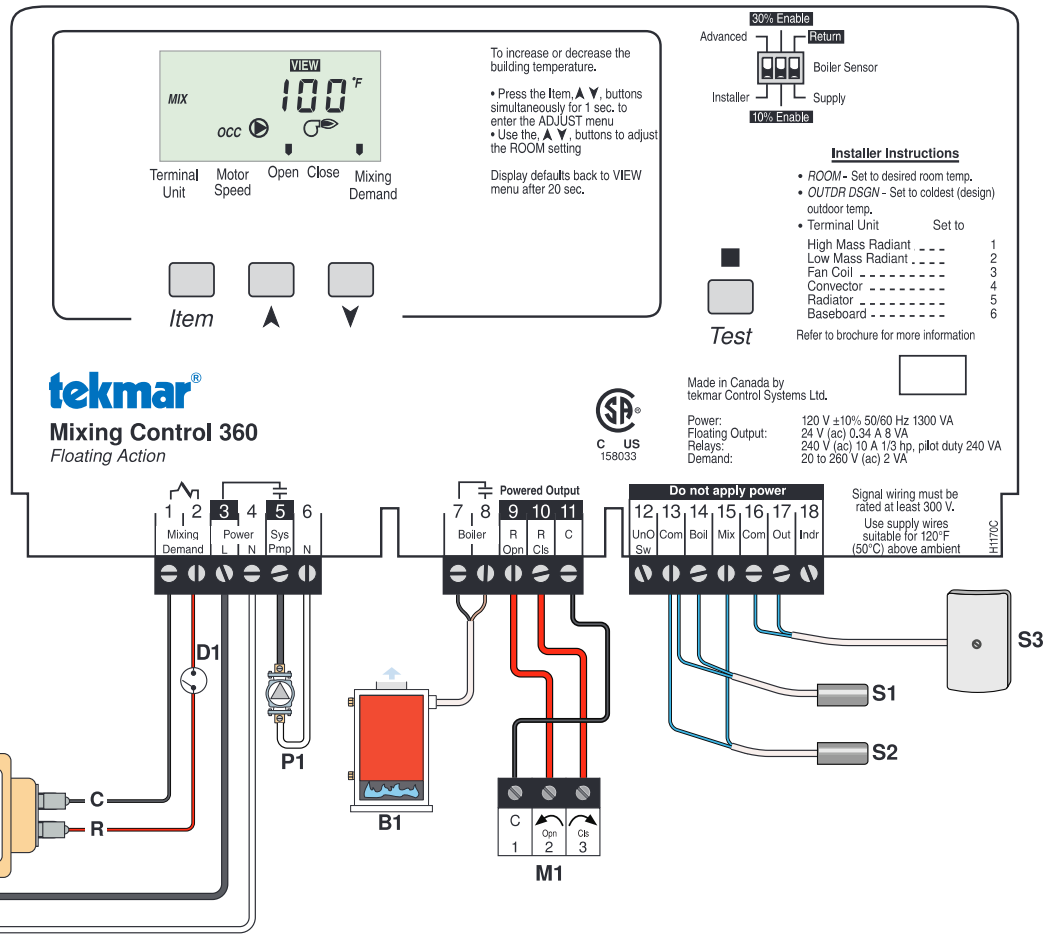
Sample Mechanical diagram



Sample Electrical diagram

Legend

B1 = Boiler 1
D1 = Mix Demand
 (From thermostat or end switch)
S1 = Boiler Supply Sensor
S2 = Mix Supply Sensor
S3 = Outdoor Sensor
P1 = Mix System pump
M1 = Floating Action Actuator



tekmar Control Systems Ltd., Canada, tekmar Control Systems, Inc., U.S.A. Head Office: 5100 Silver Star Road, Vernon, B.C. Canada V1B 3K4, 250-545-7749, Fax. 250-545-0650 Web Site: www.tekmarcontrols.com

