

tekmar® Submittal

Snow / Ice Sensor Socket 091



Snow Melting

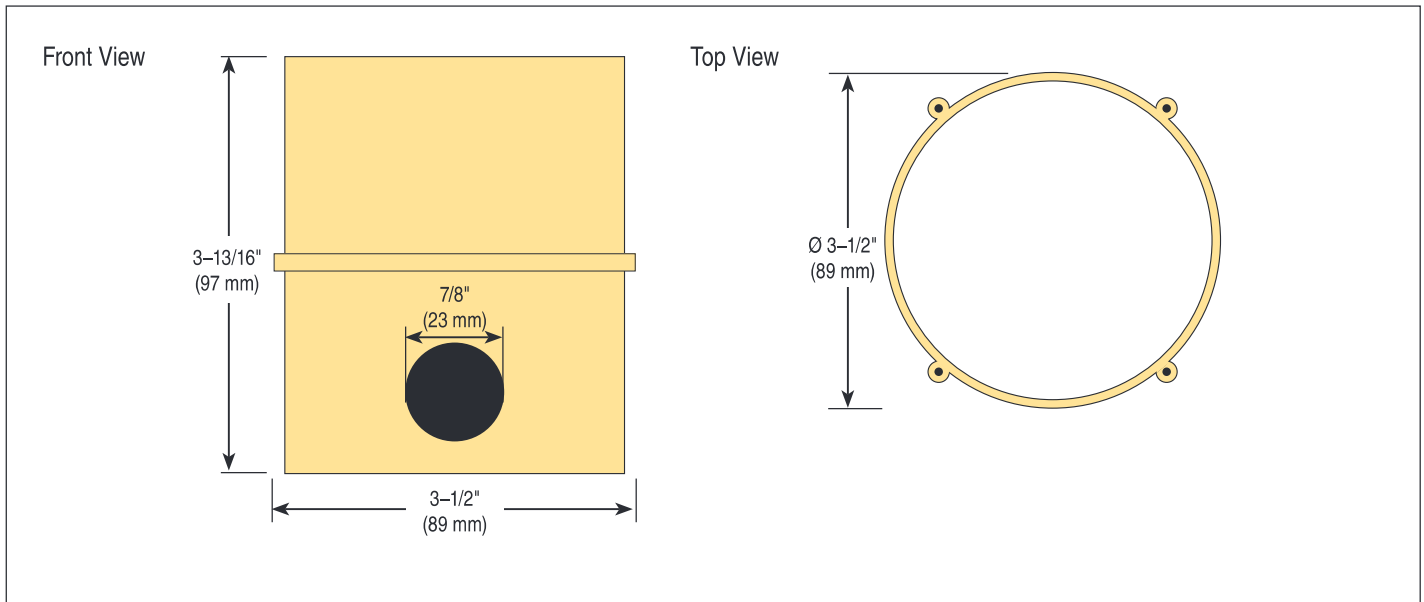
091_C

02/16

Replaces: 01/11

Job _____ Designer _____ Contact _____

The Snow/Ice Sensor Socket 091 is designed to provide a mounting solution for the Automatic Snow/Ice Sensor 090 or 094. It is intended to be installed directly into a concrete slab when the slab is poured, so that the 090 or 094 can be installed into it once dry.



Specifications

Snow / Ice Sensor Socket 091	
Literature	090_D
Packaged weight	1.5 lb (670 g), silicon brass
Dimensions	3-13/16" H x 3-1/2" O.D. (97 x 89 O.D. mm)
Approvals	CSA C US with tekmar Snow / Ice Sensor 090
Load rating	15,000 lb (66,723 N) distributed load, non-impact, installed in concrete according to the manual
Included	One polyethylene protective cap, one polyethylene mounting plate and eight #6-32 x 3/8" screws
Warranty	Limited 3 Year (See 090_D for full warranty)

Features

- Provides mounting solution for Automatic Snow/Ice Sensor 090 or 094

SPECIAL REQUIREMENTS

Must be mounted on a level slope, so that 090/094 sensor is flush with slab surface.



tekmar Control Systems Ltd., A Watts Water Technologies Company. Head Office: 5100 Silver Star Road, Vernon, B.C. Canada V1B 3K4, 250-545-7749, Fax. 250-984-0815 Web Site: tekmarControls.com

