

tekmar® Submittal

Snow / Ice Sensor 090



Snow Melting

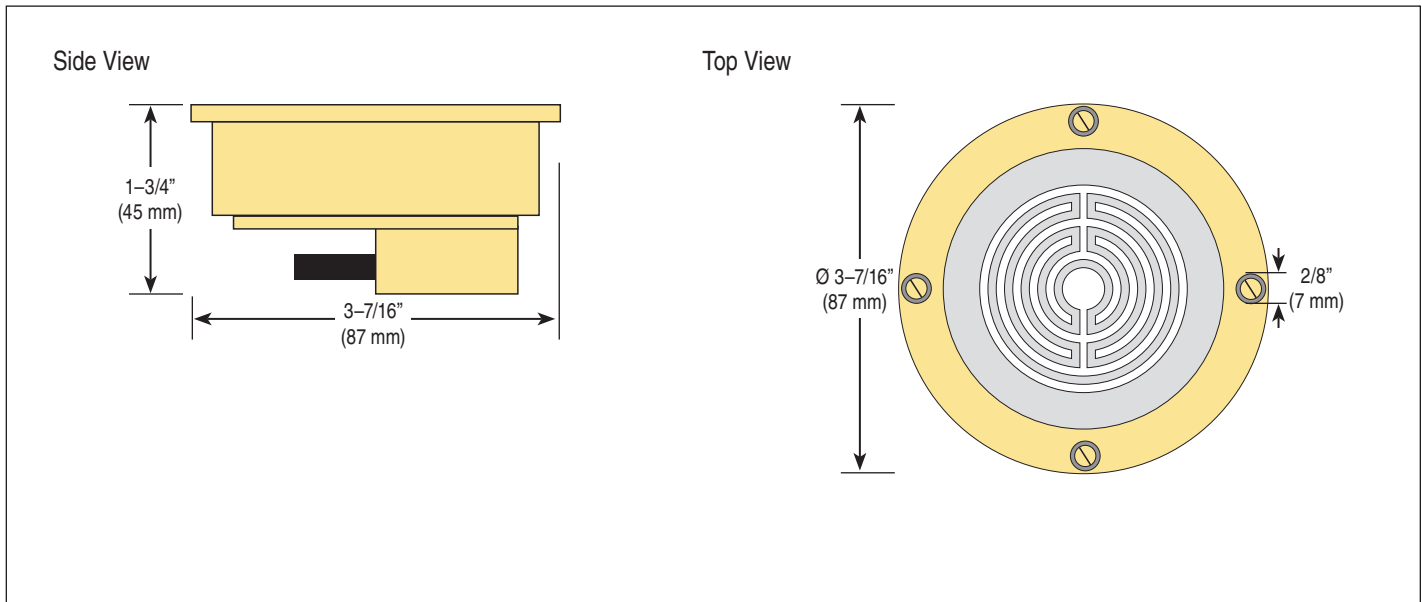
C090

01/11

Replaces: New

Job _____ Designer _____ Contact _____

The Snow/Ice Sensor 090 is an in ground sensor used with tekmar snow melting controls to automatically detect snow or ice on a driveway or walkway. The 090 has 65 ft (20 m) of wire. This product can be used in applications ranging from residential driveways to commercial building fronts such as emergency access entries. This sensor allows tekmar snow melting controls to automatically operate the snow/ice melt system only when snow or ice is present, while also providing temperature feedback to the control.



Specifications

Snow / Ice Sensor 090,	
Literature	D090
Packaged weight	4.4 lb (2000 g)
Dimensions	1-3/4" H x 3-7/16 O.D. (45 x 87 O.D. mm)
Sensor material	Silicon brass
Cable Material	65 ft. (20 m) 5 conductor stranded wire with polyethylene jacket
Approvals	CSA C US
Operating range	-30 to 170°F (-34 to 77°C)
Included	4 #4-40, 7/16" machined, stainless steel screws 4 #6-32, 3/8" flathead, slotted, stainless steel screws
Warranty	Limited 3 Year (See D090 for full warranty)

Energy Saving Features

- Automatic snow/ice detection so melting systems only operate when needed

Additional Features

- Slab temperature reading
- Long wire included so in field splicing is not necessary
- Designed for long life in driveway and walkway installations
- 65 ft (20 m) of cable

SPECIAL REQUIREMENTS

This sensor must be used with a tekmar Snow/Ice Melting Control 665, 667, or 664, and installed in a 091 socket.



tekmar Control Systems Ltd., Canada, tekmar Control Systems, Inc., U.S.A. **Head Office: 5100 Silver Star Road, Vernon, B.C. Canada V1B 3K4, 250-545-7749, Fax. 250-545-0650 Web Site: www.tekmarcontrols.com**

