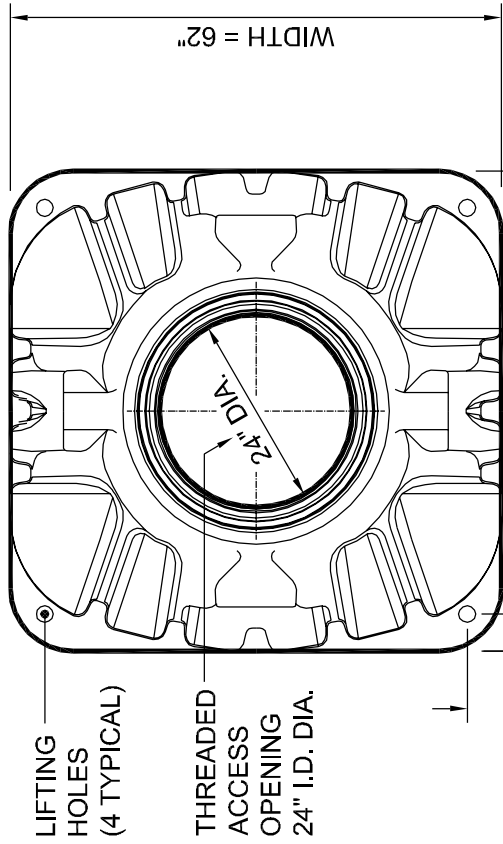


TOP



LIFTING HOLES (4 TYPICAL)

THREADED ACCESS OPENING 24" I.D. DIA.

4.25" TYP.

LENGTH = 60"

WIDTH = 62"

WIDTH = 62"

24" DIA.

SIDE

4.25" TYP.

8.66"

15.27"

HEIGHT = 51"

TANK SPECIFICATIONS

DESIGN CAPACITY	TOTAL CAPACITY		WEIGHT POUNDS
	LITERS	GALLONS	
500	1893	525	225
			1987

DWG SCALE: 1:1

PLOT SCALE: 1:2

SHEET #: 1 OF 3

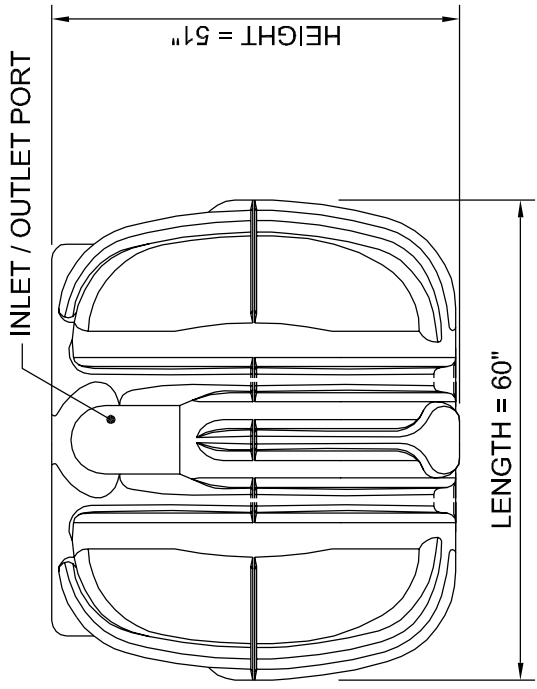
ROTH MultiTank®

500 GALLON / MODEL RMT-500



ROTH GLOBAL PLASTICS
 One General Motors Drive
 Syracuse, N.Y. 13206
 Call Toll Free 866.943.7256
 www.roth.net

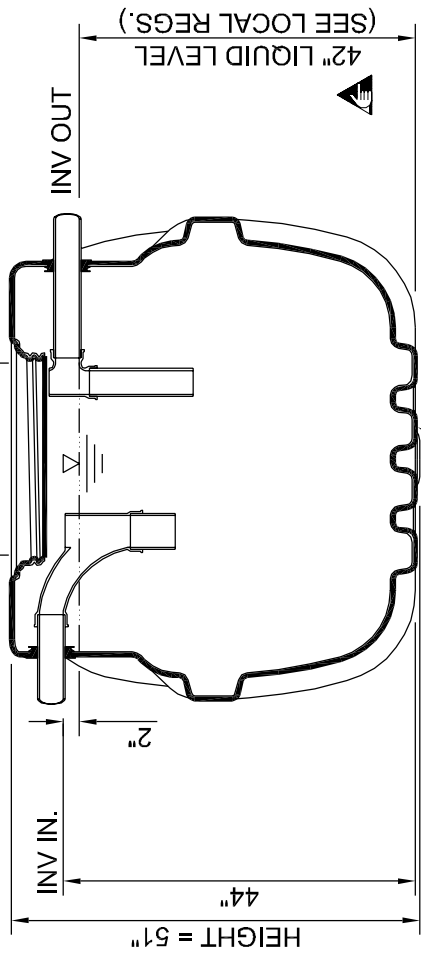
ELEVATION



INLET PORT

THREADED ACCESS
OPENING
24" I.D. DIA.

OUTLET PORT



42" LIQUID LEVEL

SECTION

DWG SCALE: 1:1

PLOT SCALE: 1:2

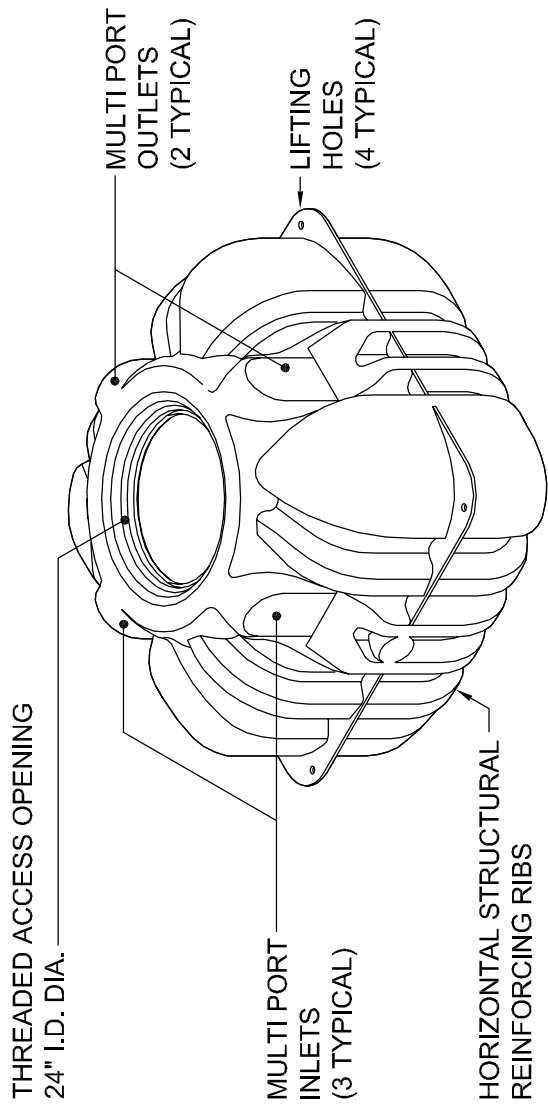
SHEET #: 2 OF 3



ROTH MultiTank®
500 GALLON / MODEL RMT-500

ROTH GLOBAL PLASTICS
 One General Motors Drive
 Syracuse, N.Y. 13206
 Call Toll Free 866.943.7256
 www.frlo.net

ISOMETRIC



WARNING TANK NOTES

1. Access at or above grade level must be secured against unauthorized access.
2. Tank is not rated for vehicular traffic loading.
3. All resin used is compliant with ASTM D 1248 as required by CSA B66 and IAPMO / ANSI Z1000-2007.
4. Tank material of construction is HMW-HDPE.
5. Primary dimensions are in inches
6. Minimum tank wall thickness is 1/4".
7. Labeling will include: manufacturer name, liquid capacity, date, maximum burial depth, and model number.
8. Riser cover contains the following: 6" x 3" warning:
"Danger - Do not enter - Poison Gas" - written in English, French & Spanish.
9. Maximum burial depth from manufacturer is 36" unless specifically instructed otherwise by the factory.
10. Models RMT-750, RMT-1060, RMT-1250 and RMT-1500 are all certified to CSA and IAPMO standards.
11. Models RMT-500, RMT-900 and RMT-1000E are compliant with CSA and IAPMO standards.

NOTES

DWG SCALE: 1:1
PLOT SCALE: 1:2
SHEET #: 3 OF 3



ROTH MultiTank®
500 GALLON / MODEL RMT-500

ROTH GLOBAL PLASTICS
One General Motors Drive
Syracuse, N.Y. 13206
Call Toll Free 866.943.7256
www.roth.net