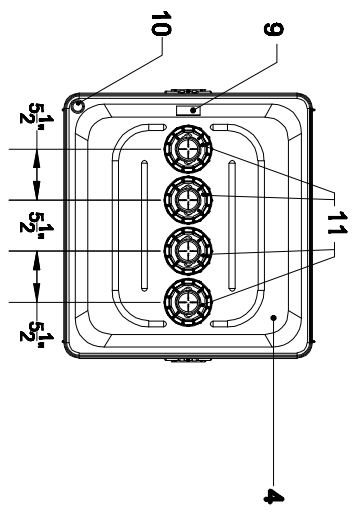
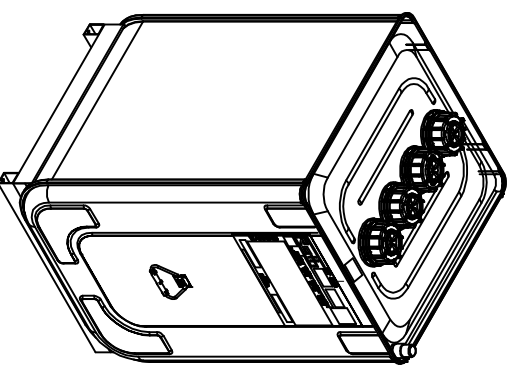


(2 Locations - Top And Front)
Tank Serial Number Data Label



Roth Industries DWT 400L

Legend

- 1. Tank Side
- 2. Tank Base
- 3. Tank End
- 4. Tank Top
- 5. Handle
- 6. Warning Label
- 7. Serial Number
- 8. UL Number
- 9. Serial Number
- 10. Leak Indicator
- 11. Connections Molded Into Inner Tank - Proprietary Piping Accessories Used For Either 2" NPT Black Iron Pipe or 3/8" & 1/2" Copper Tubing

Specifications

- Height - 44"
- Width - 28"
- Length - 29"
- Weight - 106 Lb.
- Capacity - 110 Gal.
- Outer Tank Capacity - 110% of Inner Tank
- Outer Tank - 19 GA. Galvanized Steel
- Inner Tank - 3/16" Thick High Density Polyethylene