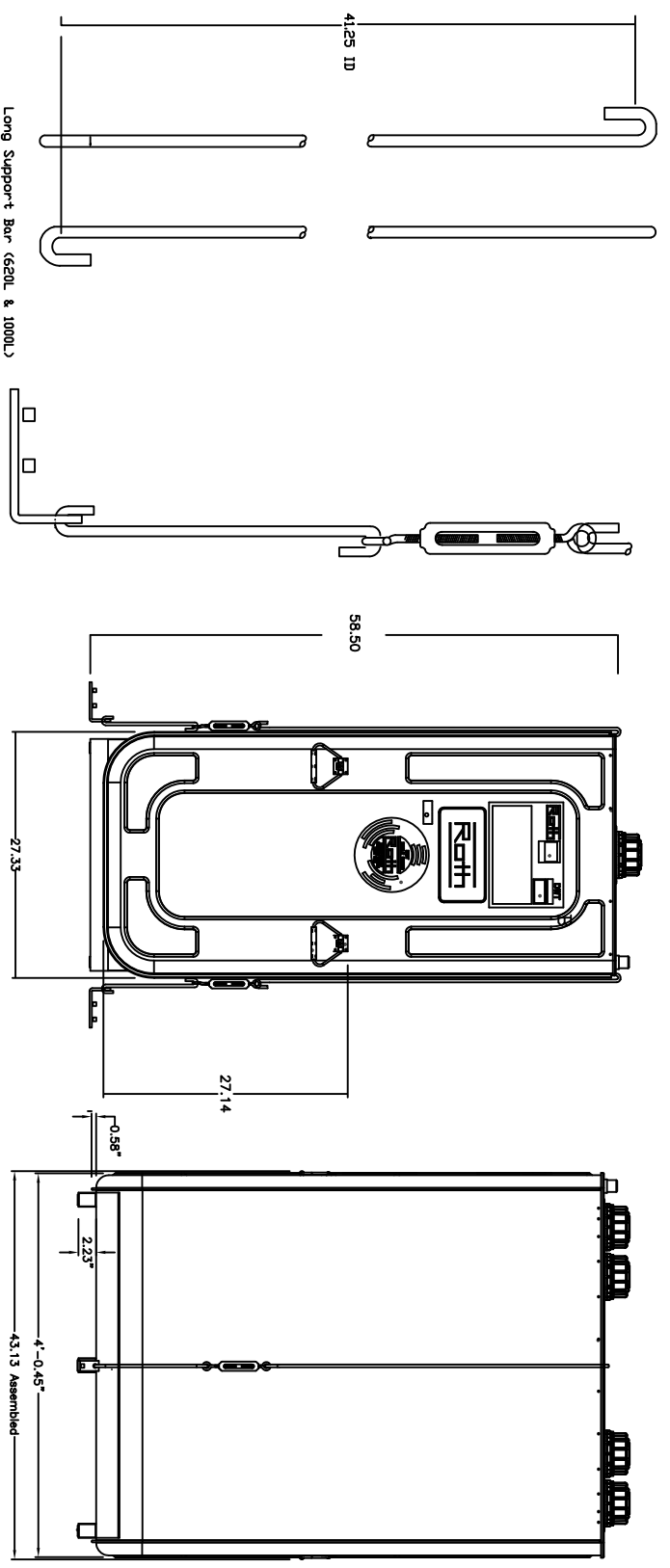
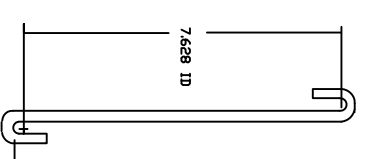


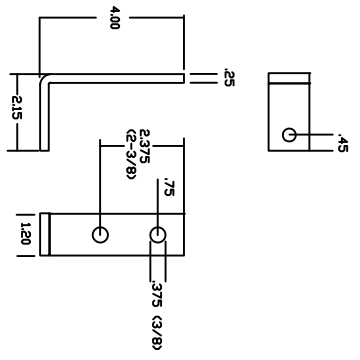
LEGEND



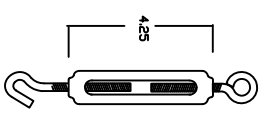
Long Support Bar (620L & 1000L)
QTY 2 Per Assembly



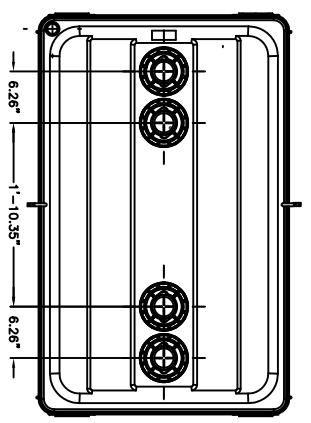
Short Support Bar (620L & 1000L)
QTY 2 Per Assembly



Angle Bracket (620L & 1000L)
QTY 2 Per Assembly



1/4" TurnBuckle (620L & 1000L)
QTY 2 Per Assembly



Tie Down Kit

#235100222 for the 620L & 1000L

- Clips over top rim of tank
- Base bolts to floor/concrete
- Turnbuckles adjust tension
- 2 tie downs per kit
- Anchor/lag bolts supplied by installer
- Use one kit in low risk areas
- Use multiple kits in high risk areas

Note: Tighten each side evenly in an alternating pattern. Do not overtighten. Make sure that the tank remains level while tightening the tie downs

Roh
Industries
77 Orville Drive
Kleier Park, Quonset Point
North Kingstown, RI 02852

Tie Down Kit

Designed By:

Drawn By:
Stephen E. Kelly

#235100222

Date:

Scale:

SHEET

C-1