

Submittal Data Sheet



Part #	Description
Various	Weather Cover, Roth DWT Oil Storage Tank

Project Information

Job Name:

Location:

Date Submitted:

Engineer:

Submitted by:

Contractor:

Approved by:

Manufacturer's Representative:

Application

Double Wall Oil Tank Weather Cover
Required for outdoor installation of Roth DWT tanks

Technical Information

Material of construction

20 gauge galvanized stamped steel

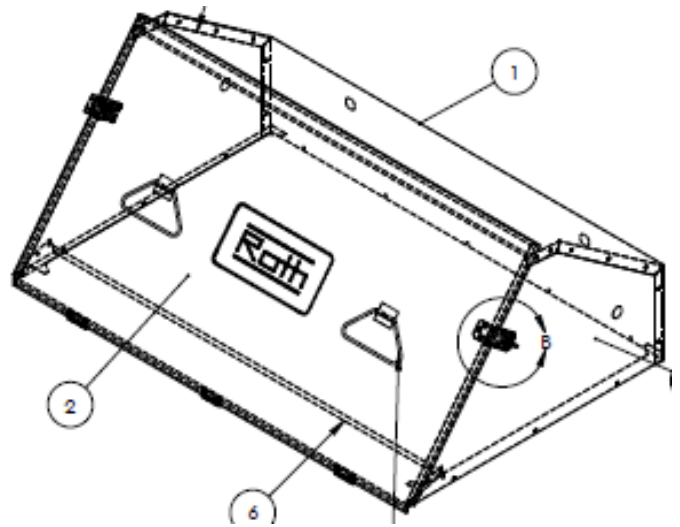
Assembly

Field assembled kit, includes fasteners and instructions to assemble and attach cover to tank.

Lid is hinged from the bottom and includes hasps to secure lid when closed.

Includes knockouts in side and back panel for fuel line connections.

Interior height above tank rim- 16.75in/425.4mm



Part Numbers and Dimensions

DWT	Cover Part #	Length in/mm	Width in/mm	Height in/mm	Weight lb/kg
400L/620L	2335100749	29.15/740.4	28.50/723.9	18.50/469.9	15/6.8
1000L	2335100757	42.97/1091.0	28.50/723.9	18.50/469.9	21/9.5
1000LH	2335003721	50.25/1276.3	30.75/781.0	18.50/469.9	25/11.3
1500L	2335002054	64.67/1642.7	31.00/787.4	18.50/469.9	32/14.9

Contact Information

Roth Industries, Inc. 268 Bellew Ave. S. Watertown, NY 13601

Telephone: US (888) 266-7684 Canada (800) 969-7684 Fax: US & Canada (866) 462-2914

www.roth-america.com