



# STAR™ Monster D-Box



- 12-Hole Distribution Box.\*
- Quick & easy pipe seals secured with threaded nut.
- New design allows parallel pipe runs on 4 sides.
- Invert drop of 2" between inlet and outlet pipes.
- 24" I.D. provides plenty of elbow room during installation, leveling and maintenance.
- Basin can be weighted with aggregate to maintain level.
- Bring to grade using the STAR™ Threaded Riser System.
- Includes a STAR-24L (threaded lid), gasket and security seal.

\*Available with no holes pre-drilled.

The Roth STAR™ Monster D-Box is the only distribution box you'll want to carry. The STAR™ system is engineered with U.V. resistant high-density polyethylene and a gasketed watertight connection. The new design offers ease of installation with outlets exiting in four directions.

Roth is the proud owner and operator of the world's largest blow-mold machine. Our patented manufacturing and design process utilizes high molecular weight HDPE to produce the "Next Generation" of onsite wastewater products.

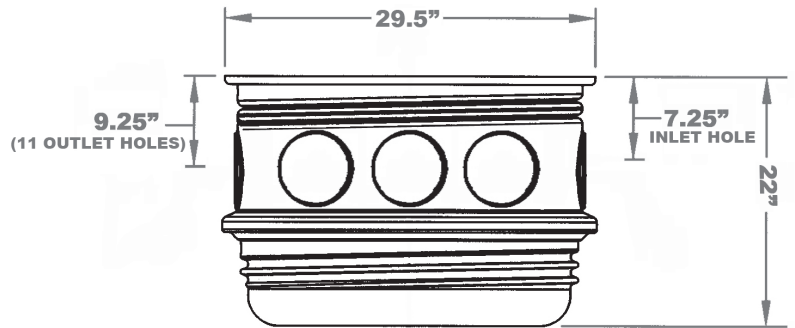
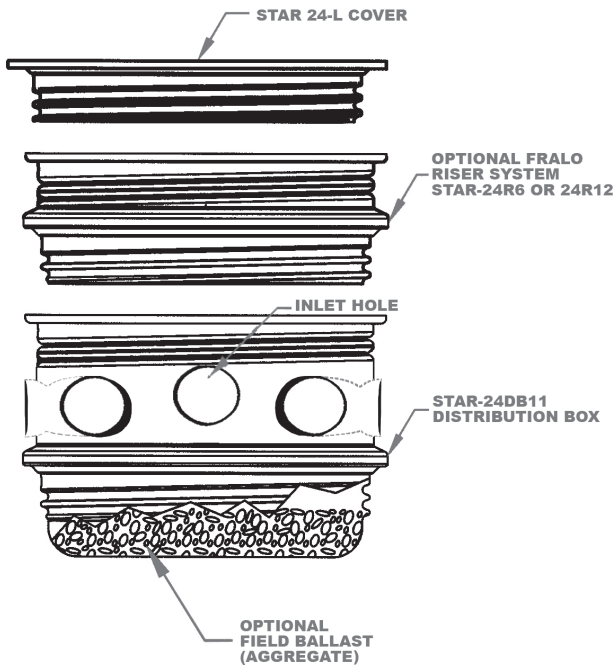
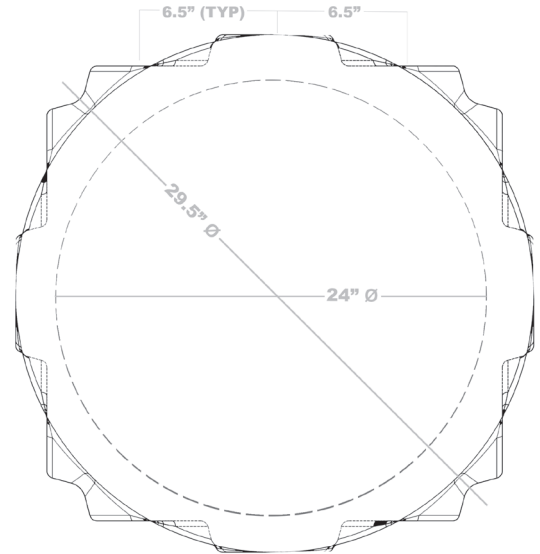
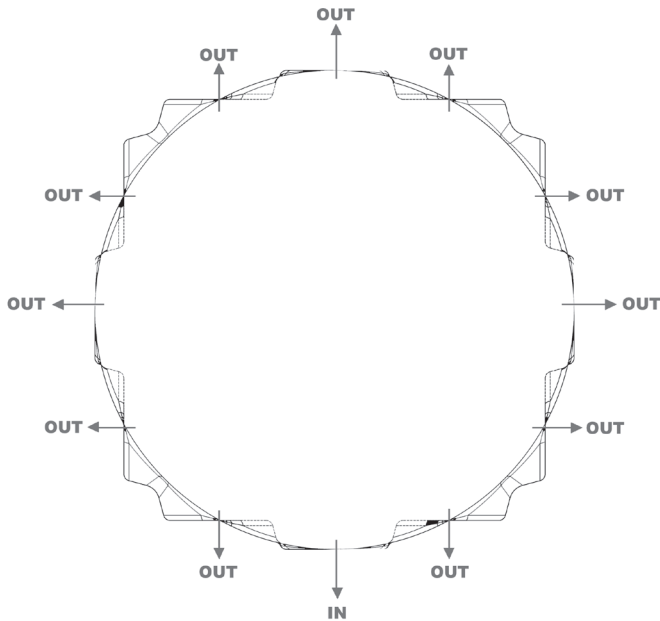
With an emphasis on products for the wastewater and environmental industries, Roth Global Plastics, Inc. is your innovative partner in business. Our products are engineered for performance over the long term. We welcome your comments and look forward to meeting your future engineered plastic product needs.



Call to Order Today: 1-888-266-7684  
Roth Global Plastics PO Box 245 Syracuse, New York 13211  
[www.roth-america.com](http://www.roth-america.com)



# STAR™ MONSTER D-BOX DIMENSIONS STAR-24DB11



Invert drop of 2" between inlet & outlet pipes.

**Warranty:** Roth Global Plastics warrants the STAR™ Riser System for a period of five years from date of purchase against any manufacturing defects, providing the plug cover has been used and installed in accordance with manufacturer's written instructions. Roth will, at its option, repair or replace any plug cover it deems to be defective and Roth's obligations under this warranty are strictly limited to the repair and/or replacement of the defective plug cover. Roth assumes no liability in cases of improper installation or misuse. Roth is not responsible for any resulting contingent liabilities or charges. This warranty applies only to the original plug cover installation.