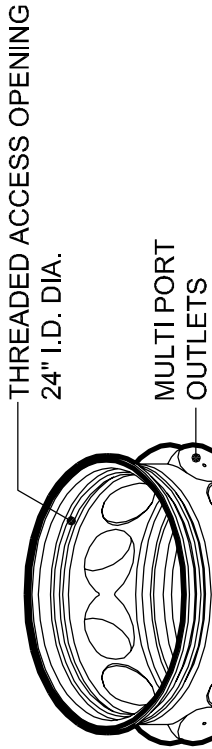
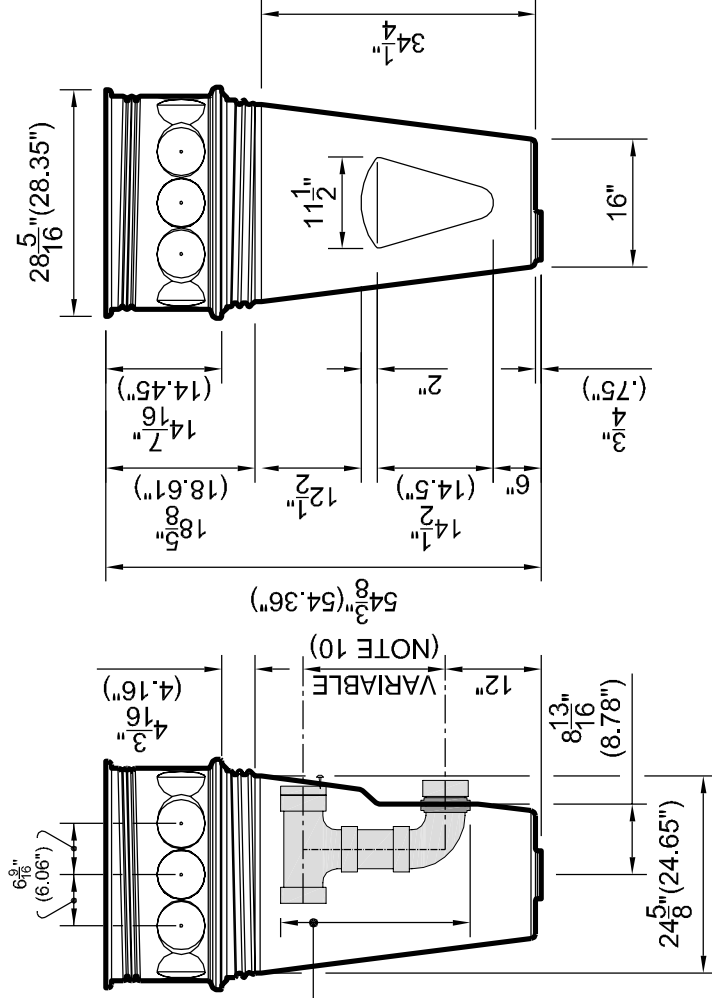


ISOMETRIC



ELEVATION



- (1) 4" ASTM C923 WATERTIGHT SEAL
- (1) 4" PVC SCH 40 S. RADIUS ELBOW
- (1) 4" PVC SCH 40 CROSS
- (1) 4" PVC SCH 40 PIPE - LENGTH = 48.00"
- (1) 4" PVC SCH 40 CAP
- (1) 1.5"-14 ST. STL. SQUARE DRIVE SCREWS
- (1) 4" PVC SCH 40 S. RADIUS ELBOW
- (1) 4" PVC SCH 40 S. RADIUS ELBOW



VAULT NOTES

1. Access at or above grade level must be secured against unauthorized access.
2. Tank is not rated for vehicular traffic loading.
3. All resin used is compliant with ASTM D 1248 as required by CSA B66 and IAPMO / ANSI Z1000-2007.
4. Tank material of construction is HMW-HDPE.
5. Primary dimensions are in inches.
6. Minimum tank wall thickness is 1/4".
7. Labeling will include: manufacturer name, liquid capacity, date, maximum burial depth, and model number.
8. Riser cover contains the following: 6" x 3" warning: "Danger - Do not enter - Poison Gas" - written in English, French & Spanish.
9. For use with 300 to 1500 gal. Septic tanks.
10. Filtered outlet/inlet elevation determined by system sizing/reserve requirements.

TOP

